

CITY OF GERMANTOWN

One North Plum Street Germantown, OH 45327

937-855-7255 www.germantown.oh.us

Residential-Single Family Dwellings, Additions, Decks, Accessory Structures (including sheds, detached garages & out buildings)

ZONING PERMITS MUST BE APPROVED PRIOR TO BUILDING PERMITS

All accessory structures 200 square feet and larger MUST obtain a Building Permit and a Zoning Permit. If the accessory structure is less than 200 square feet, you will need only a Zoning Permit.

All accessory structures MUST be placed in the required REAR YARD.

All new buildings and structures, alterations, additions, remodeling, demolitions, changes in use and other activity connected to construction or development require permits. The following items do **NOT** require a Building Permit: siding, landscaping (other than retaining walls), painting/wallpapering for maintenance purposes and storm/screen windows and doors. If your project is not listed, please contact the Building Department, National Inspection Corporation (NIC), at 937-433-4642.

You will need to complete the following paper work completely and return it to us. A deposit will be required with the submission of your applications. Office hours are Monday through Friday, 8:00 a.m. – 4:00 p.m.

- Building Permit Application and three (3) sets/copies of plans for the project
- Zoning Permit Application and three (3) copies of the site plan for the property. This should be a bird's eye view of your property showing exactly where you propose to install the structure. It should indicate front/rear of property and if the home is located on a corner. Please include length, height, material types and the distance from property lines along with any other structures existing on the property. An example is enclosed and you may draw it yourself.
- Additional permits maybe required for Single Family Dwelling such as a Tap in Permit. Please inquire at our offices for these applications, fee and requirements.

Once you submit your plans, they will be reviewed by the Building Department (NIC) and the Zoning Department. This process will take 10-15 days unless additional information is required. National Inspection Corporation (NIC), our Building Department, may contact you if any additional information is required. That information can be brought to the City Building for delivery to NIC.

Municipal Staff will contact you when both the Building and Zoning Permits are ready to be picked up. Zoning Permits are \$15.00. Total cost for Building Permits, less your initial deposit, will be determined by NIC. State fees of 1% apply to all Building Permits, inspection costs and plan reviews. The fees can be paid by cash or check made payable to the City of Germantown.

You may be required to pay for inspections that fail after three attempts for any one type. This re-inspect fee is required to be paid at the City Building before any other inspections will be done. Permits are good for **one** year.

**Residential-Single Family Dwellings, Additions, Decks, Accessory Structures
(including sheds, detached garages & out buildings)**

After you have picked up your JOB SITE plans and copies of your Building and Zoning Permit, you will need to contact NIC to schedule each required inspections. You will need to provide NIC with the Permit Number that is located at the top left on your Building Permit. The **JOB SITE** plans must be **ON SITE** for each inspection. NIC's office hours are Monday-Friday 8:00 a.m.-5:00 p.m. You may leave your information on their voice mail after hours for an inspection. You may be able to get same day inspections if calls are placed before 8:30 a.m. NIC can be reached at 937-433-4642.

NIC inspectors will make routine required inspections throughout the construction process. The inspector will leave an inspection ticket after each inspection with a pass or fail notice. If you have any questions during the process with regard to inspections, please call NIC to speak with an inspector. You will receive a final building ticket that will be marked approved or a Certificate of Occupancy when applicable after all inspections are completed.

Demolitions require a special permit that will require sign offs for various departments/utilities.

If your project requires plumbing, please contact Montgomery County at 225-4421 or 781-2500. They will handle any permits, questions and inspections.

Questions? Please contact NIC for any building questions or contact the City Building at for zoning questions.

By law, everyone **MUST** contact the Ohio Utilities Protection Service, 8-1-1 or 1-800-362-274 at least 48 hours, but no more than 10 working days (excluding weekends and legal holidays), before beginning ANY digging projects.

CHAPTER 1129
Supplemental District Regulations

- | | | | |
|---------|---|---------|--|
| 1129.01 | Intent. | 1129.12 | Temporary uses. |
| 1129.02 | Accessory structures. | 1129.13 | Swimming pools/ponds. |
| 1129.03 | Satellite dish antenna regulations. | 1129.14 | Home occupations. |
| 1129.04 | Radio and television antenna regulations. | 1129.15 | Nuisance performance standards. |
| 1129.05 | Buffer and transition between residential/commercial and residential/industrial zoned properties. | 1129.16 | Residential design and appearance standards. |
| 1129.06 | Principal building per lot. | 1129.17 | Adult entertainment facilities. |
| 1129.07 | Parking and storage of vehicles and trailers. | 1129.18 | Mobile homes on individual parcels (lots). |
| 1129.08 | Required refuse collection areas. | 1129.19 | Reserved. |
| 1129.09 | Fences and electronic fences. | 1129.20 | Bed and breakfast inns. |
| 1129.10 | Projections into required yards. | 1129.21 | Automobile washing facilities. |
| 1129.11 | Visibility at intersections. | 1129.22 | Wireless telecommunications facilities. |
| | | 1129.23 | Nuisance abatement. |
| | | 1129.24 | Medical marijuana. |

CROSS REFERENCES

- Parking junk vehicles - see TRAF. 303.10
Nuisances generally - see GEN. OFF. Ch. 521
Refuse collection - see S.U. & P.S. Ch. 953

1129.01 INTENT.

The purpose of Supplemental District Regulations is to set specific conditions for various uses, classifications of uses, or areas wherein problems may occur, in order to alleviate or proclude such problems, and to promote the harmonious exercise of property rights without conflict.

(Ord. 00-30. Passed 6-5-2000.)

1129.02 ACCESSORY STRUCTURES.

(a) It is the purpose of this Zoning Code to regulate accessory structures in order to promote public health, safety, and welfare. It is the intent of these Sections to permit such uses to be established and maintained in a manner which makes them compatible with principal uses and harmonious with uses upon adjacent properties.

(Ord. 10-43. Passed 12-6-10.)

(b) Except as otherwise provided in this Zoning Code, an accessory use or structure shall be permitted in association with a principal use of structure provided that:

- (1) It shall be 50% or less of the gross floor area of the principal structure except in A-Agricultural zones and lots of 5 acres or more.
- (2) It shall not contain or be used as a dwelling unit.
- (3) In no case shall any structure accessory to a residential use, regardless of zone, exceed:
 - A. Eighteen (18) feet in height, provided the height of the primary structure is greater than eighteen (18) feet, or
 - B. The height of the primary structure, provided the height of the primary structure is less than eighteen (18) feet.
- (4) The following are exceptions to 1129.02(b)(3):
 - A. Any structure accessory to any use within A-Agricultural zone shall not exceed thirty-five (35) feet in height, and,
 - B. Any structure accessory to any use on lots five (5) acres or more, regardless of zone, shall not exceed thirty-five (35) feet in height.
- (5) It shall meet all yard requirements of the principal use except the structure shall be no closer than 3 feet to the side and rear lot lines, no closer than 3 feet from a recorded easement and no closer than 10 feet to the principal structure.
- (6) All accessory structures shall be placed in the required rear yard with the exception of fences provided said fence is in compliance with Section 1129.09(b). (Ord. 12-34. Passed 7-2-12.)

(c) All accessory structures require a Zoning Permit.
(Ord. 10-43. Passed 12-6-10.)

1129.03 SATELLITE DISH ANTENNA REGULATIONS.

Satellite dish antennas shall be permitted as an accessory structure in all zone districts, and are subject to requirements as follows:

- (a) Ground-mounted satellite dishes installed in residential districts shall be limited to rear yard areas of the rearward portion of the lot or parcel.
- (b) Setbacks for all satellite dish installations shall be a minimum of 10 feet from any property line, a minimum of 15 feet from public rights-of-way, and of a sufficient safe distance from all overhead and/or underground power lines as determined by the Municipal Manager.
- (c) Roof-mounted satellite dishes shall be limited to a maximum diameter of 6 feet or less and such installations shall be located on the rearward portion of the roof as viewed from the front yard. Roof installations shall be mounted in accordance with manufacturer's recommendations and be properly secured to prevent damage from wind and snow loads.
- (d) All satellite dish antennas shall be properly grounded, resistant to lightning strikes, and meet all Electrical Code requirements.
- (e) All satellite dish antenna systems shall be noncorrosive, designed, engineered, and permanently installed to withstand wind and snow loads specified by the Ohio Basic Building Code.
- (f) Maximum diameter of any satellite dish shall not exceed 12 feet.
- (g) Maximum overall height for ground-mounted satellite dish antenna systems shall not exceed 15 feet.
- (h) Placement of satellite dish antenna systems within any easement shall be prohibited.

**City of Germantown
One North Plum Street
Germantown, Ohio 45327**

**ZONING PERMIT APPLICATION
zoning@germantown.oh.us
Phone (937) 855-7255**

Residential

Commercial

Date: _____

Parcel ID Number: _____

Property Address: _____

Cell/Business Number _____

Property Owner: _____

Home Phone Number: _____

Applicant: _____

Home Phone Number: _____

Applicant Address: _____

Cell/Business Number _____

Applicant Email: _____

Fence (\$15.00)

Pool (\$15.00)

Shed/Barn (\$15.00)

Single Family Dwelling (\$25.00)

Addition (residential \$15.00/Commercial \$50.00)

Sign (\$15.00)

Other: _____

Existing Use: _____

Proposed Use: _____

Provide **three (3) sets** of a detailed diagram or plot plan and narrative of project showing/explaining all dimensions of the lot, location of existing buildings and location of proposed construction. Show distances from all lot lines to existing buildings and proposed buildings. A scaled diagram may be required along with additional information as the City Manager or designee deems necessary. The property owner understands that the application, diagram and other information presented for the above construction and/or use shall be located entirely upon the property location indicated above and further understands that the property owner shall be liable for substituting same. **The property owner and/or applicant further understands that a Certificate of Zoning Compliance is required BEFORE the commencement of any use or occupation of any building or construction within the space. This permit will expire within one (1) year of issuance if construction has not commenced.**

I have read the above information and have included the required drawings

Signature of Property Owner

Signature of Applicant

Office Use Only

Date Received: _____

Date Reviewed: _____

Zoning District: _____

Permit Number: _____

Zoning Fee: _____

Date Paid: _____

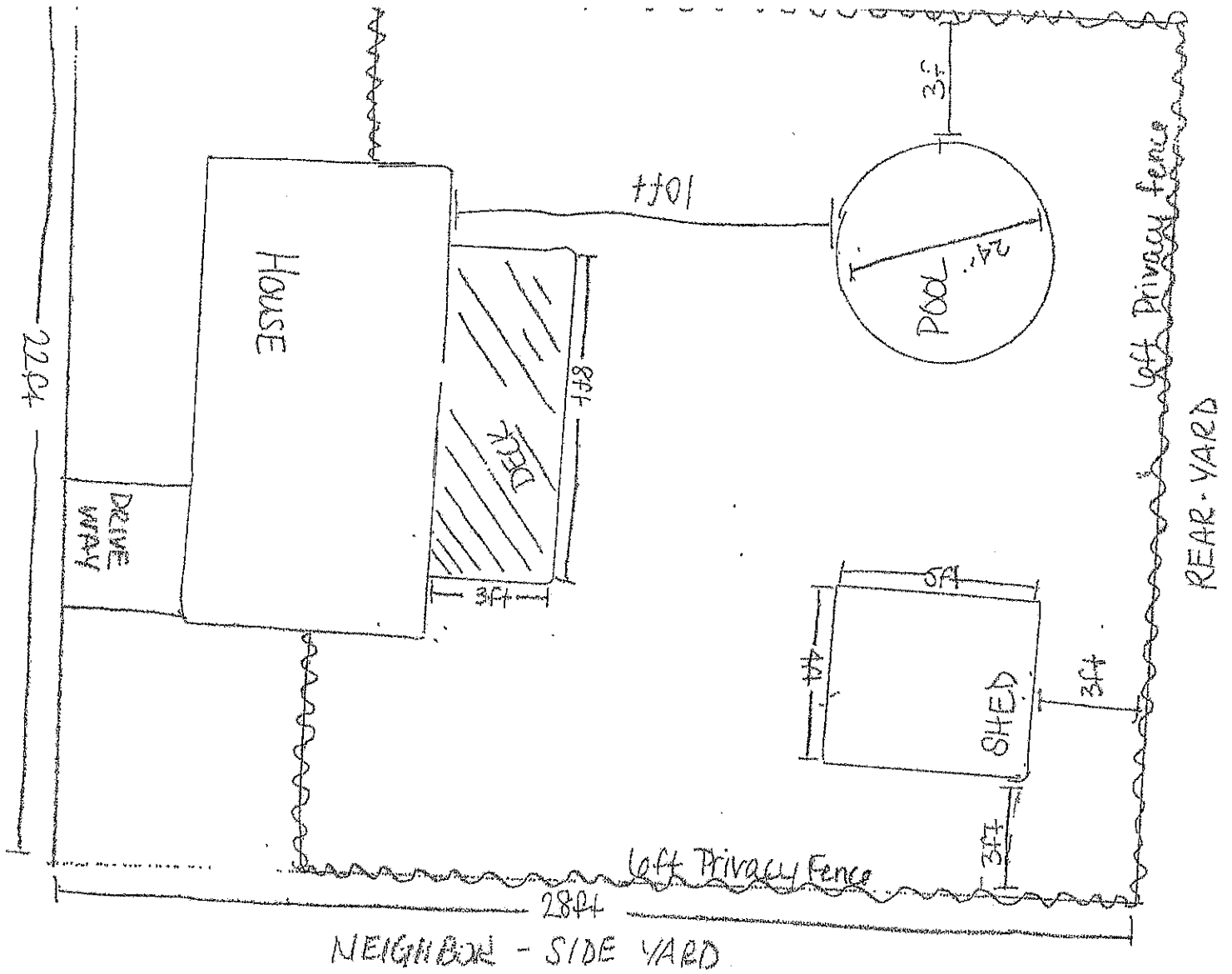
Approved

Disapproved

Comments: _____

Signature of Zoning Officer

FRONT YARD



- EXAMPLE OF LOT PLAN -

- POOL
- SHED
- DECK
- FENCE

City of Germantown
 1 North Plum Street, Germantown, Ohio 45327
 Phone (937) 855-7255 Fax (937)855-3215
<http://www.germantown.oh.us>

BUILDING/ELECTRICAL PERMIT APPLICATION
 FOR INFORMATION CALL: (888) 433-4642

(CHECK ONE) RESIDENTIAL ___ COMMERCIAL ___ SUBMIT 2 RESIDENTIAL/3 COMMERCIAL BUILDING PLANS

PLEASE PRINT	NAME	STREET ADDRESS	CITY, STATE, ZIP	PHONE NUMBER & EMAIL
PROPERTY OWNER				
APPLICANT				
PLANS BY				
CONTRACTOR				

SITE ADDRESS _____ TENANT _____

PARCEL ID # _____ AFFECTED CONSTRUCTION AREA SQ. FT. _____

PROJECT DESCRIPTION _____ PROJECT COST _____

---COMMERCIAL ONLY--- USE GROUP _____ CONSTRUCTION TYPE _____ OCCUPANT LOAD _____

REVIEW REQUESTED: CHECK ALL THAT APPLY

- | | | | |
|---|-------------------------------------|---|--|
| <input type="checkbox"/> New Building | <input type="checkbox"/> Garage | <input type="checkbox"/> Fire Alarm | <input type="checkbox"/> Change of Use |
| <input type="checkbox"/> Addition | <input type="checkbox"/> HVAC | <input type="checkbox"/> Fire Suppression | <input type="checkbox"/> Signage |
| <input type="checkbox"/> Alteration | <input type="checkbox"/> Electrical | <input type="checkbox"/> Hood Suppression | <input type="checkbox"/> Pool (In Ground) |
| <input type="checkbox"/> Deck _____ Sq. Ft. | <input type="checkbox"/> Gas Line | <input type="checkbox"/> Hood Exhaust | <input type="checkbox"/> Pool (Above Ground) |
| <input type="checkbox"/> Shed _____ Sq. Ft. | <input type="checkbox"/> Fence | <input type="checkbox"/> Cert. of Occupancy | <input type="checkbox"/> Roofing |
| <input type="checkbox"/> Electrical Service Size _____ Line Drawing Required over 400 AMP | | | |
| <input type="checkbox"/> Other (Specify) _____ | | | |

Is property located in a Floodplain? Yes / No

All information contained in this application is true, accurate, and complete to the best of my knowledge and I do hereby agree to complete the project in compliance with all relevant building codes.

OWNER/OWNER REP. (Please Print) _____ EMAIL _____

OWNER/OWNER REP. (Signature) _____ APPLICATION DATE _____

Auditor Information: # Bedrooms _____ # Baths _____ # Stories _____ Livable Sq. Ft. _____ Finished Basement Sq. Ft. _____

*****OFFICE USE ONLY*****

DEPOSIT \$ _____ RECEIVED BY _____ PAYMENT: CASH CREDIT CHECK # _____

Is property located in a Floodplain? Yes / No _____ PERMIT # _____

ZONING APPROVED _____ DATE _____

BUILDING APPROVED _____ DATE _____

BUILDING DEPARTMENT FEE SCHEDULE**Residential Code of Ohio: One, Two and Three Family Homes****Fees:****Building (Structure) Fees:**

New structures/ Additions / Alterations / Remodel:	
Application Fee	\$100.00
Plus	\$0.25 per sq. ft.
Accessory Structures: Awnings, Decks, Sheds (Sheds < 200 sq. ft. do not require permit)	
Application Fee	\$100.00
Plus	\$0.20 per sq. ft.
Swimming Pool > 24" deep	\$75.00
Demolition: Per Structure	\$75.00
Industrialized Unit – Foundation only: (Does not include elec. service, decks, porches, garages or other add-ons)	\$125.00
Roof Replacement	\$80.00
Temporary tent (tent 400-699 Sq ft. with sides or greater than 700 Sq ft)	\$100.00

Electrical Fees:

New structures/ Additions / Alterations / Remodel:	
Application Fee	\$100.00
Plus	\$0.05 per sq. ft.
Electric Service: New/upgrade/reconnect	\$75.00
Electric Service: New/upgrade/reconnect with additional wiring	\$100.00
Temporary Service	\$75.00
Generator	\$100.00
Swimming Pool –In-ground/above ground bonding/wiring	\$75.00
Solar Arrays	
Application Fee	\$90.00
Plus	\$5.00/ panel
Electric vehicle chargers	\$90.00
Battery storage	\$80.00/ connection

Mechanical (HVAC) Fees:

New structures/ Additions / Alterations / Remodel:	
Application Fee	\$100.00
Plus	\$0.05 per sq. ft.
Furnace or A/C Replacement – per unit	\$90.00
Heat pump	\$90.00
Gas Piping	\$90.00
Geothermal trench/pressure test	\$90.00 per inspection

Minor Alteration: (Per Each Type of Permit; Building, Electric, HVAC, Etc.)

Application Fee	\$80.00
-----------------	---------

Administrative Fees:

Re-inspection (3 rd and subsequent repeat inspection)	\$75.00
Non-permit/ Special inspection	\$100.00
Out of normal hours inspection (min. 3 hour billing)	\$125.00 / hour
Starting work without a permit	Doubled Permit Fee
Copy Plans & re-stamp	\$60.00
Plus cost of copying	
Plan Review – 3 rd and subsequent (1/4 hour increments)	\$60.00 / hour
Revisions to approved plans (Plus Plan Review)	\$100.00
Certificate of Occupancy or Certificate of Completion	\$50.00
Temporary Certificate of Occupancy (30 Days)	\$100.00
Occupying without Certificate of Occupancy	\$250.00
Permit extension – if approved	\$100.00

Note: State Board of Building Standards Fee = 1% of above fees.
Application fees are paid with application and are non-refundable.
Substitute "Linear Ft." for Sq. Ft. where applicable, e.g. fences etc.



Building Department Questions

Phone: 937-433-4642

E-mail: Plans@Natinspect.com

POST FRAME ACCESSORY STRUCTURES **PLAN SUBMITTAL CHECKLIST**

Minimum Standards for post and frame structures (must meet all)

1. Residential accessory structures,
2. Single story,
3. Solid exterior structural sheathing or metal roof, and solid wall panels,
4. No attic storage (attic storage would require engineered design trusses),
5. Maximum building width of thirty six feet including the overhang,
6. Maximum wall height of sixteen feet,
7. Maximum mean roof height of twenty feet, and
8. Maximum post spacing of eight feet (unless truss sit directly on post)

Post and frame structures outside the above structural limitations will require plans sealed by an Architect or Engineer licensed in the State of Ohio.

A. Site Plan

1. Property lines
2. All existing and proposed structures
3. Distance to property lines for proposed structures

B. Construction Details

1. ***Elevation Plan*** – north, south, east and west views. Show all porches and steps.
2. ***Pier Plan*** – show size and depth.
3. ***Floor Plan*** – label all room uses and dimensions.
 - a. Provide window and door sizes and locations
 - b. Show all header sizes, spans and locations.
 - c. Provide engineering specifications on any engineered lumber, beams, headers, joist, truss, etc.
4. ***Cross-Section***
 - a. Show all components of the wall from pier footing to roof

All drawings shall be legible, and have details to adequately describe the work, location and use.

Drawings shall distinguish between existing and proposed work

Current Residential Codes include:

- 2019 Residential Code of Ohio
- 2017 National Electric Code
- 2018 International Energy Conservation Code

324.6.2.2 Emergency escape and rescue opening. Panels and modules installed on dwellings shall not be placed on the portion of a roof that is below an emergency escape and rescue opening. A pathway not less than 36 inches (914 mm) wide shall be provided to the emergency escape and rescue opening.

324.7 Ground-mounted photovoltaic systems. Ground-mounted photovoltaic systems shall be designed and installed in accordance with Section 301.

324.7.1 Fire separation distances. Ground-mounted photovoltaic systems shall be subject to the fire separation distance requirements determined by the local jurisdiction.

**SECTION 325
MEZZANINES**

Deleted

**SECTION 326
SWIMMING POOLS, SPAS AND HOT TUBS**

Deleted

**SECTION 327
STATIONARY STORAGE BATTERY SYSTEMS**

327.1 General. Stationary storage battery system shall comply with the provisions of this section.

327.2 Equipment listings. Stationary storage battery systems shall be listed and labeled for residential use in accordance with UL 9540.

Exceptions:

1. Where approved, repurposed unlisted battery systems from electric vehicles are allowed to be installed outdoors or in detached sheds located not less than 5 feet (1524 mm) from exterior walls, property lines and public ways.
2. Battery systems that are an integral part of an electric vehicle are allowed provided that the installation complies with Section 625.48 of NFPA 70.
3. Battery systems less than 1 kWh (3.6 megajoules).

327.3 Installation. Stationary storage battery systems shall be installed in accordance with the manufacturer's instructions and their listing, if applicable, and shall not be installed within the habitable space of a dwelling unit.

327.4 Electrical installation. Stationary storage battery systems shall be installed in accordance with NFPA 70. Inverters shall be listed and labeled in accordance with UL 1741 or provided as part of the UL 9540 listing. Systems connected to the utility grid shall use inverters listed for utility interaction.

327.5 Ventilation. Indoor installations of stationary storage battery systems that include batteries that produce hydrogen or other flammable gases during charging shall be provided with ventilation in accordance with Section 1307.4.

327.6 Protection from impact. Stationary storage battery systems installed in a location subject to vehicle damage shall be protected by approved barriers.

**SECTION 328
POST FRAME ACCESSORY STRUCTURES**

328.1 Post frame accessory structures. The following requirements serve as minimum standards for post and frame structures within all of the following structural limitations:

1. Residential accessory structures,
2. Single story,
3. Solid exterior structural sheathing or metal roof, and solid wall panels,
4. No attic storage,
5. Maximum building width of thirty six feet including the overhang,
6. Maximum wall height of sixteen feet,
7. Maximum mean roof height of twenty feet, and
8. Maximum post spacing of eight feet.

Post and frame structures and portions thereof outside the above structural limitations of this standard shall be accompanied by structural calculations as required by the residential building official or designed under the provisions of Section 106.5 of the Residential Code of Ohio (RCO). Post and frame structures shall comply with the structural design requirements of Section 301 of the RCO.

328.2 Definition. Post frame accessory structures consist of primary members (wood posts, beams & single span roof trusses or ceiling joist and rafters) and secondary members (wood roof purlins, wall girts, bracing & sheathing) where all loads are transmitted from the sheathing and the secondary members to the primary members which transfer all combined loads to the soil through vertical posts bearing on footings embedded in the ground. See Figure 328.

328.3 Footings and foundations. Footings and foundations shall comply with applicable provisions of 401. Post frame structures shall have poured in-place concrete footings installed below all posts. The top of the footing shall be a minimum of 48 inches below finished grade and have footing diameters complying with Table 328.3.

**TABLE 328.3
POST FRAME PIER FOOTING DIAMETERS^{1, 2, 3, 4}**

	BUILDING WIDTH (length of truss) INCLUDING OVERHANG (feet)			
	24	28	32	36
Diameter (inches) 20# roof snow load	18	20	22	22
Diameter (inches) 30# roof snow load	18	22	24	26

1. Pier footing thickness shall be a minimum one-half of the diameter of the footing.
2. Based upon 2000 PSF soil bearing capacity and truss loads of 20 or 30 PSF live or snow load top chord, 10 PSF dead load top chord, 5 PSF dead load on the bottom chord and no live load on the bottom chord.
3. Fractional widths shall be rounded to the next higher pier footing diameter.
4. Table not to be used in Ohio case study areas.

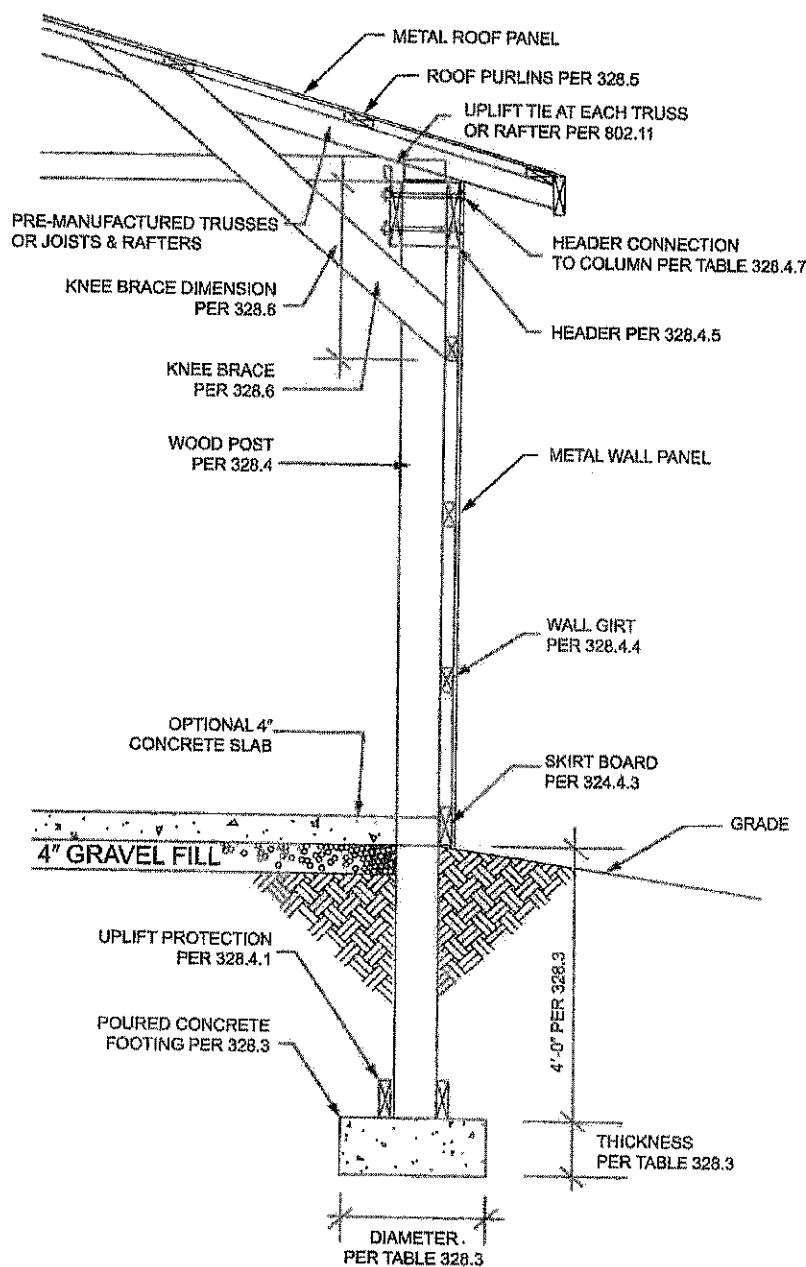


FIGURE 328
POST AND FRAME WALL SECTION
(NO SCALE)

328.4 Post and wall construction. Posts shall be three (3) ply unspliced, reinforced spliced or solid wood and shall not be less than 4 inch by 6 inch nominal size. Posts shall comply with the requirements of Section 317.

328.4.1 Uplift protection: Posts shall have uplift protection by one of the following methods:

1. Two 2 x 6 x 12 inch post uplift protection blocks attached to each side of the base of the post. The post uplift blocks shall be placed horizontally, attached per Table 328.7 and comply with Section 317;
2. 12 inch high, concrete collar poured on top of footing around the post, with 2-#5 x 9 inch rebar placed

through the post at 3 inches and 9 inches from bottom of post in opposite directions. The rebar ends must be 1 1/2 inches from the soil. See Figure 328.1;

328.4.2 Post Spacing. The maximum spacing for posts shall be (eight) 8 feet on center.

328.4.3 Skirt Boards. Skirt boards shall be treated lumber meeting the requirements of Section 317 and attached per Table 328.7.

328.4.4 Wall girts. Wall girts shall be not less than 2 x 4 inches nominal and spaced not more than twenty-four (24) inches on center.

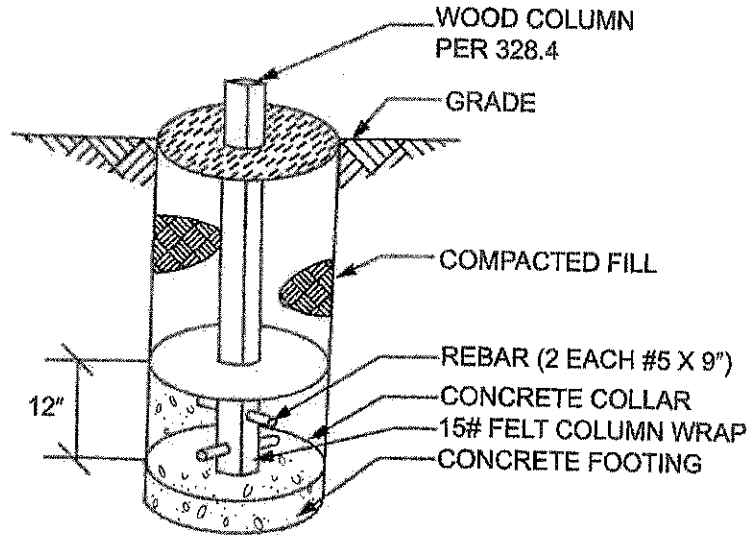


FIGURE 328.1
POST UPLIFT PROTECTION EXCEPTION
(NO SCALE)

328.4.5 Load bearing beams and headers: Load bearing beams and headers shall comply with Table 502.5(1).

Exceptions:

1. Bearing beams are not required if the trusses or ceiling joists and rafters bear directly on the posts.
2. Headers in the gable-end wall which do not support more than five square feet of wall area per lineal foot of header shall be sized per Table 328.4.5.

TABLE 328.4.5
GABLE END HEADER SIZES

Opening Width (feet)	10	12	16
Header Size (inches)	2-2 x 8	2-2 x 10	2-2 x 12

328.4.6 Bracing. Wall bracing shall be provided to resist all racking and shearing forces and must comply with the applicable provisions of section 602.10 or by installing 2x6 diagonal cross braces in the bays between adjacent posts as described in this section. The diagonal cross braces shall be placed from the top header or girt to the next adjacent post at the skirt board. The cross bracing shall be placed or installed on all sides of the building and shall be spaced at a maximum of 25 feet on center and within 12 feet of the corners of the building and attached per Table 328.7. Any splices of the diagonal brace required due to excessive length, must lap over two consecutive wall girts.

328.4.7 Beams supporting trusses or rafters and ceiling joists attachment to column. Bearing beams supporting roof trusses or rafters and ceiling joists shall be connected to the posts by one of the following methods:

1. Bolts that are 1/2 inch diameter through-bolted to the side of the post;

2. Bolts that are 1/2 inch diameter, directly attached to a 3-ply post notch, enclosing the truss or rafter at the top of post; or
3. Other fasteners with minimum shear or withdraw values stated in Table 328.4.7

328.4.7.1 Number of fasteners. The minimum numbers of through bolts or other fasteners with minimum shears or withdraw values required per Table 328.4.7.

TABLE 328.4.7
BEAM OR TRUSS CONNECTION AT POSTS MINIMUM FASTENERS OR TOTAL SHEAR OR WITHDRAW VALUES ^{a,b,c}

	BUILDING WIDTH (Length of Truss) INCLUDING OVERHANG (feet)			
	24	28	32	36
Shear or withdraw (pounds) 20 lb snow load	3360	3920	4480	5040
Number of Bolts, 20 lb roof snow load	2	2	2	3
Shear or withdraw (pounds) 30 lb roof snow load	4320	5040	5760	6480
Number of Bolts, 30 lb roof snow load	2	3	3	3

- a. Based upon truss loads of 20 or 30 PSF live or snow load top chord, 10 PSF dead load top chord, 5 PSF live load on the bottom chord and no live load on the bottom chord.
- b. Based upon post spacing at intervals not exceeding 8 feet.
- c. When beams are attached at each side of the column and fasteners do not extend through both beams such as through-bolts, the required values are one-half the amount shown above for each beam.

328.5 Roof purlins. Roof purlins shall be a minimum of 4x2 SPF#2 laid flat for spans up to 4 feet, and 4x2 SPF#2 laid on edge for spans up to 8 feet. Roof purlins shall be spaced not more than 24 inches on center.

328.6 Knee bracing. A 2 x 6 brace shall extend from the post to the top chord of the truss or rafter adjacent to the post at a

45 degree angle. The vertical distance down from the bottom chord of the truss or ceiling joist to the point where the brace attaches to the posts shall be in compliance with Table 328.6 as shown on Figure 328. Trusses or rafters must be spaced such that they align with the post intervals. Attachment of knee brace shall be per Table 328.7.

**TABLE 328.6
KNEE BRACE VERTICAL DISTANCE**

Wall Height	Vertical Dimension
8'-0" and 9'-0"	1'-6"
10'-0" and 11'-0"	2'-0"
12'-0" and 13'-0"	3'-0"
14'-0" through 16'-0"	4'-0"

328.7 Attachment details. Structural fastener details for post and frame buildings shall comply with Table 328.7.

328.8 Roof trusses. Engineered roof trusses, where used, shall be accompanied by drawings sealed by the registered design professional responsible for their preparation and shall be submitted to the residential building official for approval prior to the framing inspection. The truss design shall comply with Sections 802.10 and 802.11 and shall account for all loads imposed on the truss as a result of the prescriptive requirements of this section.

**TABLE 328.7
STRUCTURAL FASTENERS**

FASTENER SCHEDULE FOR STRUCTURAL MEMBERS		
Description of Building Element	Number and Type of Fastener	Attachment type
Uplift blocking to post	5-16d Hot Dipped Galvanized	Each block
Skirt board to post	2-16d Hot Dipped Galvanized	Face nail
Wall girt to post	2-16d Hot Dipped Galvanized	Face nail
Diagonal cross bracing to post	2-16d Hot Dipped Galvanized	Face nail
Diagonal cross bracing to skirt board	2-10d Hot Dipped Galvanized	Face nail
Diagonal cross bracing to wall girts, beam, or header	2-10d	Face nail
Knee brace to post	3-16d Hot Dipped Galvanized	Face nail
Knee brace to top chord of truss or rafter	3-10d	Face nail
Knee brace to bottom chord of truss or ceiling joist	3-10d	Face nail
Roof purlin to truss or rafter with span of 2' or 4'	2-16d	Face nail
Roof purlin to truss or rafter with span of 8'	Mechanical fastener with uplift protection greater than 225 pounds.	Per manufacturer installation manual